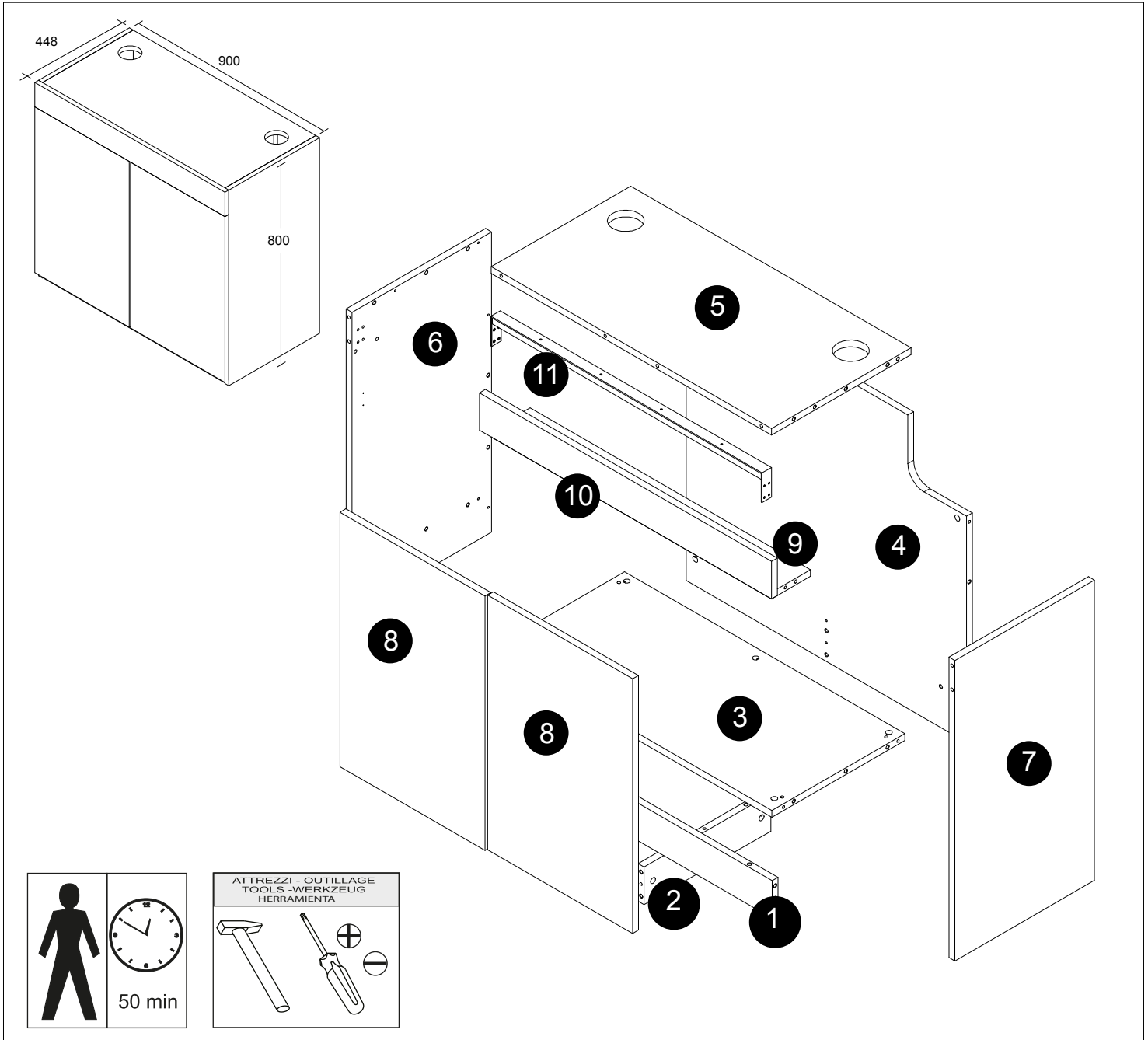


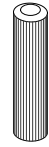
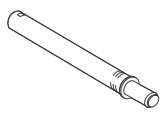
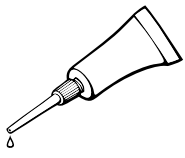

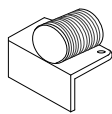

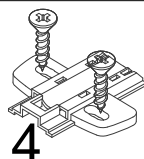
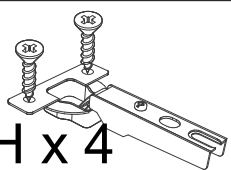
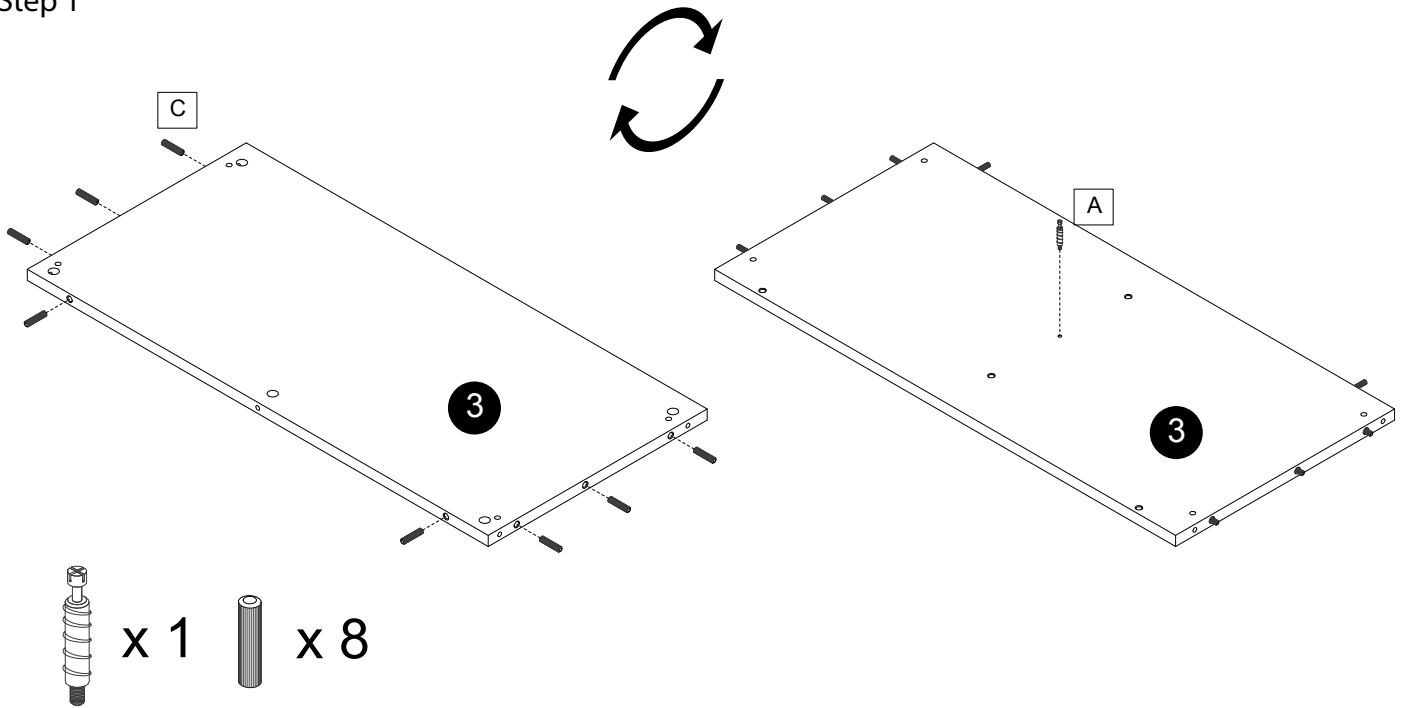


STATION L. 900

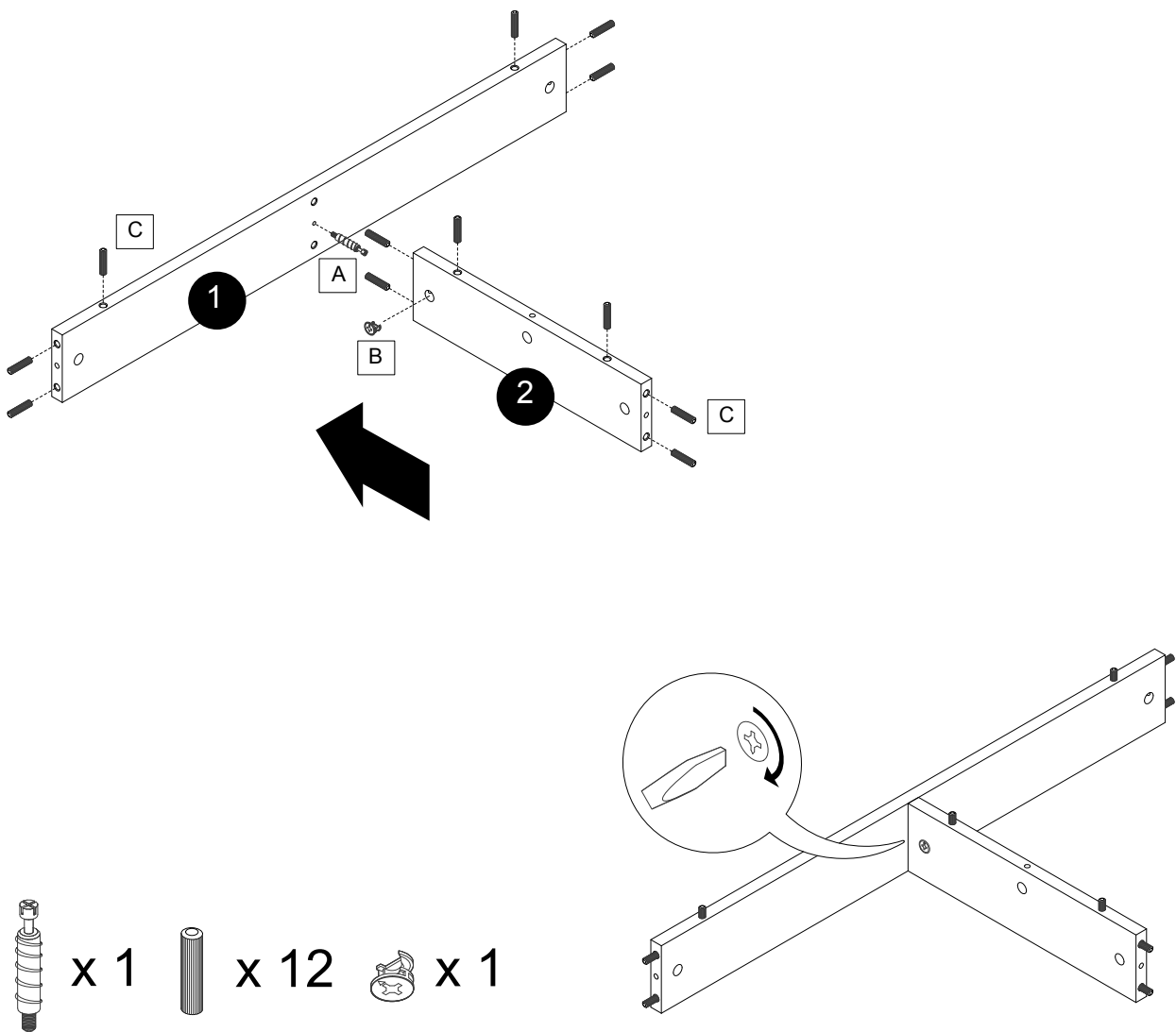


A x 18	B x 18	C x 42	D x 2	glue
				
E x 4	F x 20	P  x 16		G + H x 8
				
		G x 4	H x 4	

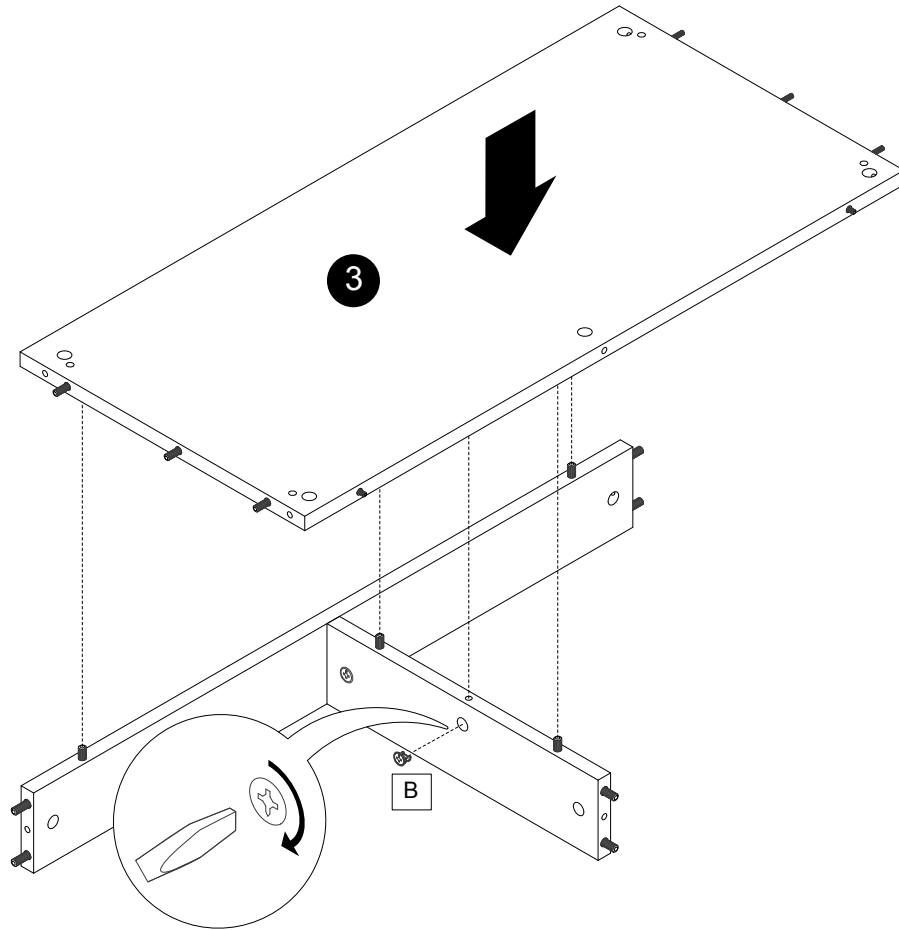
Step 1



Step 2

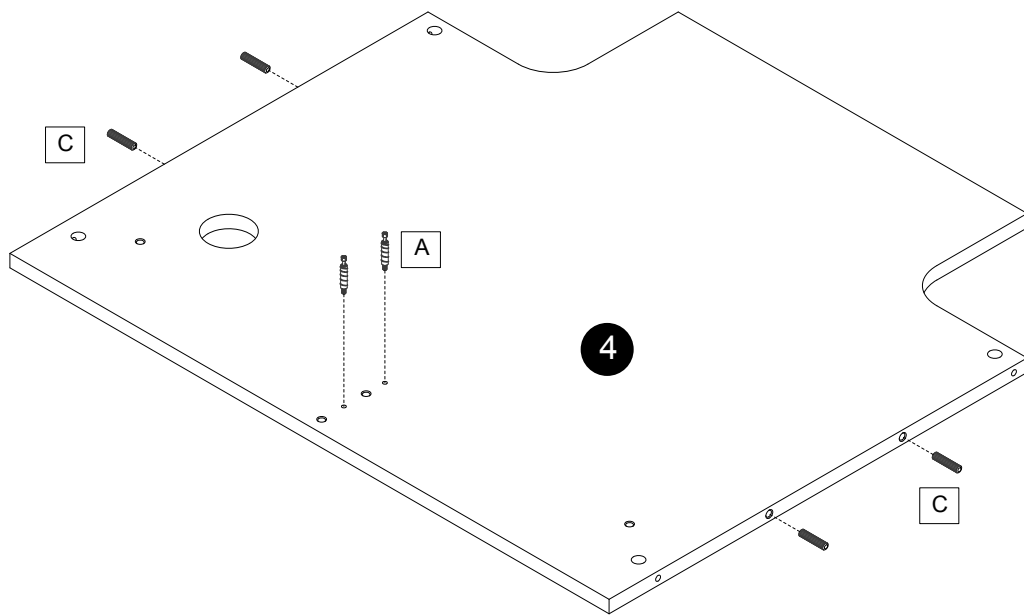



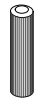
Step 3



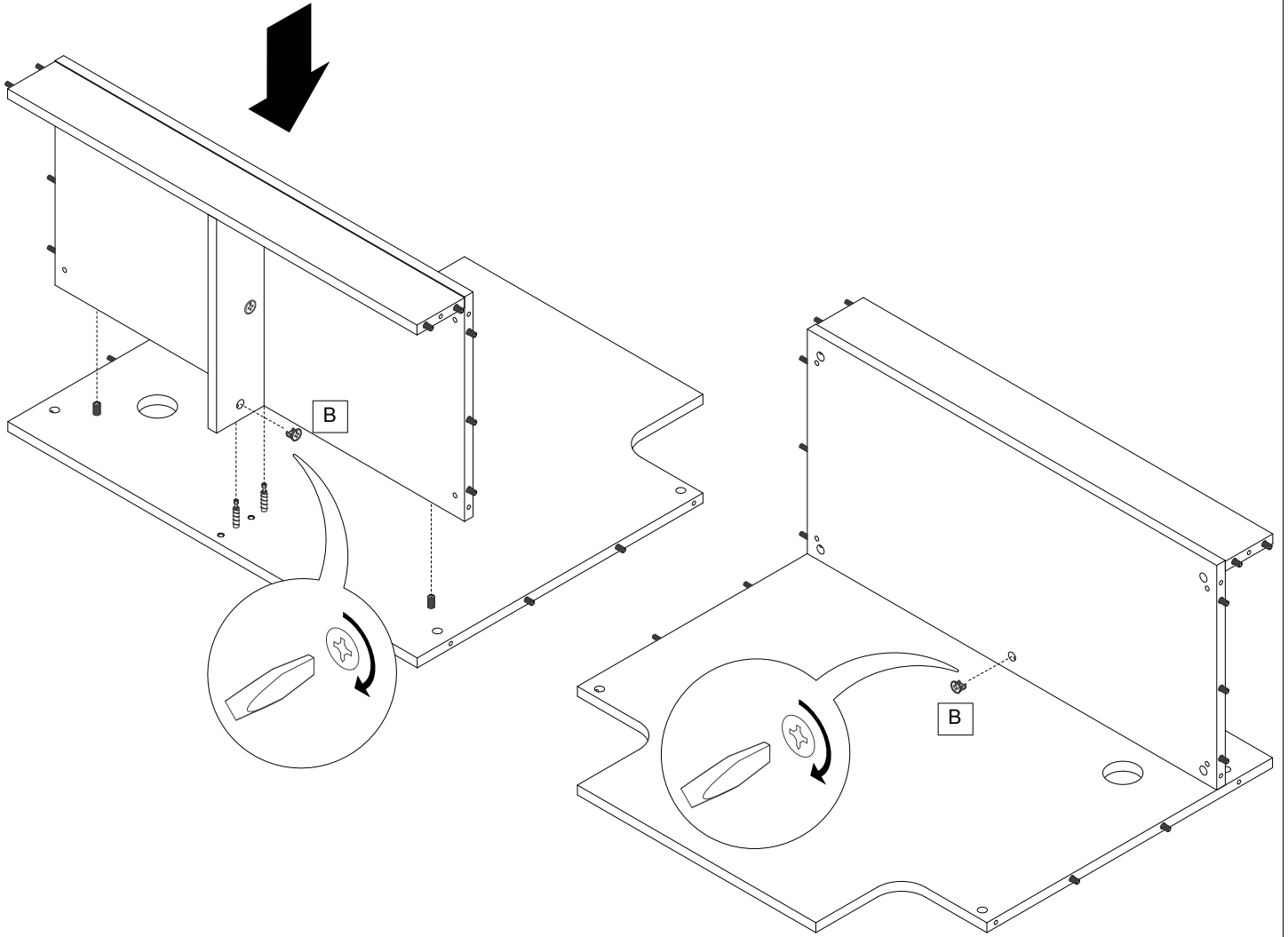
 x 1

Step 4



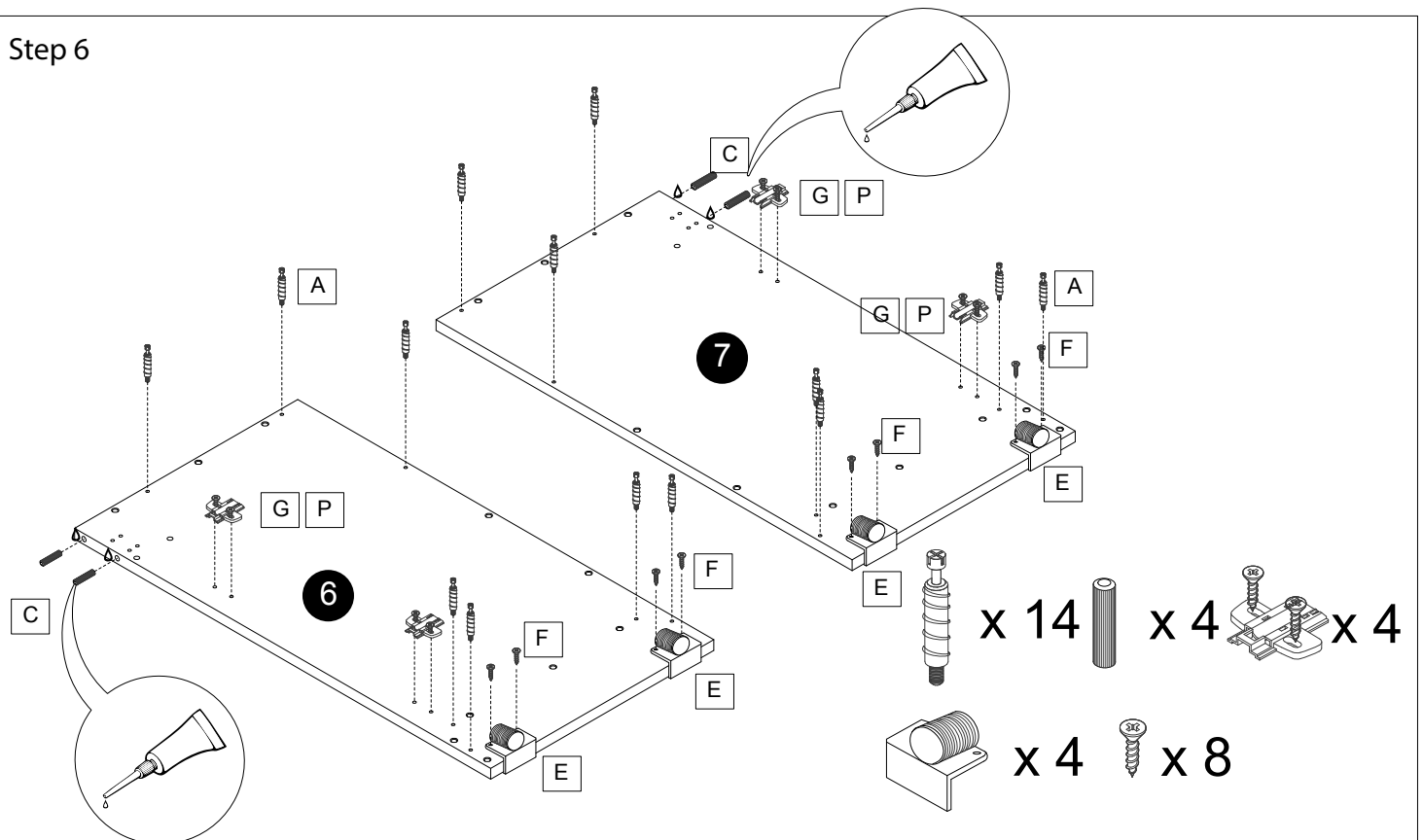
 x 2  x 4

Step 5

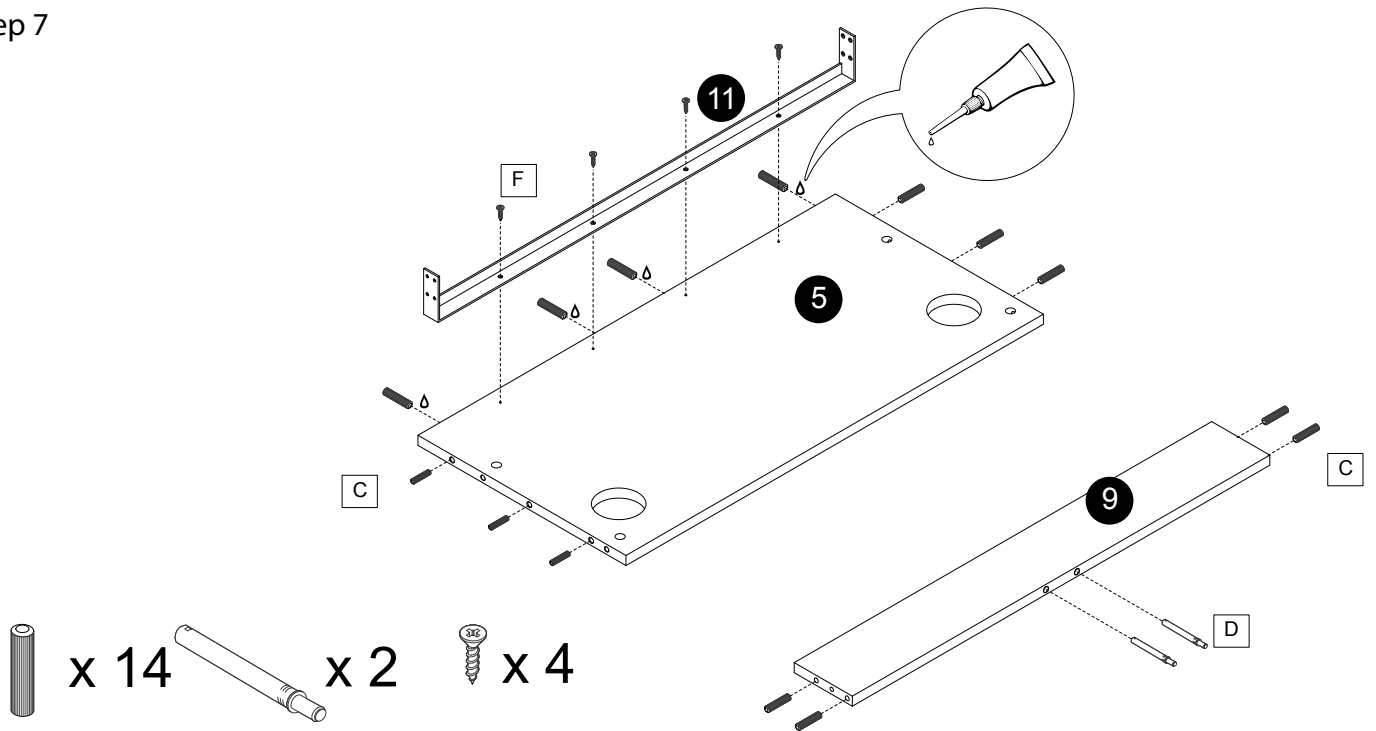


 x 2

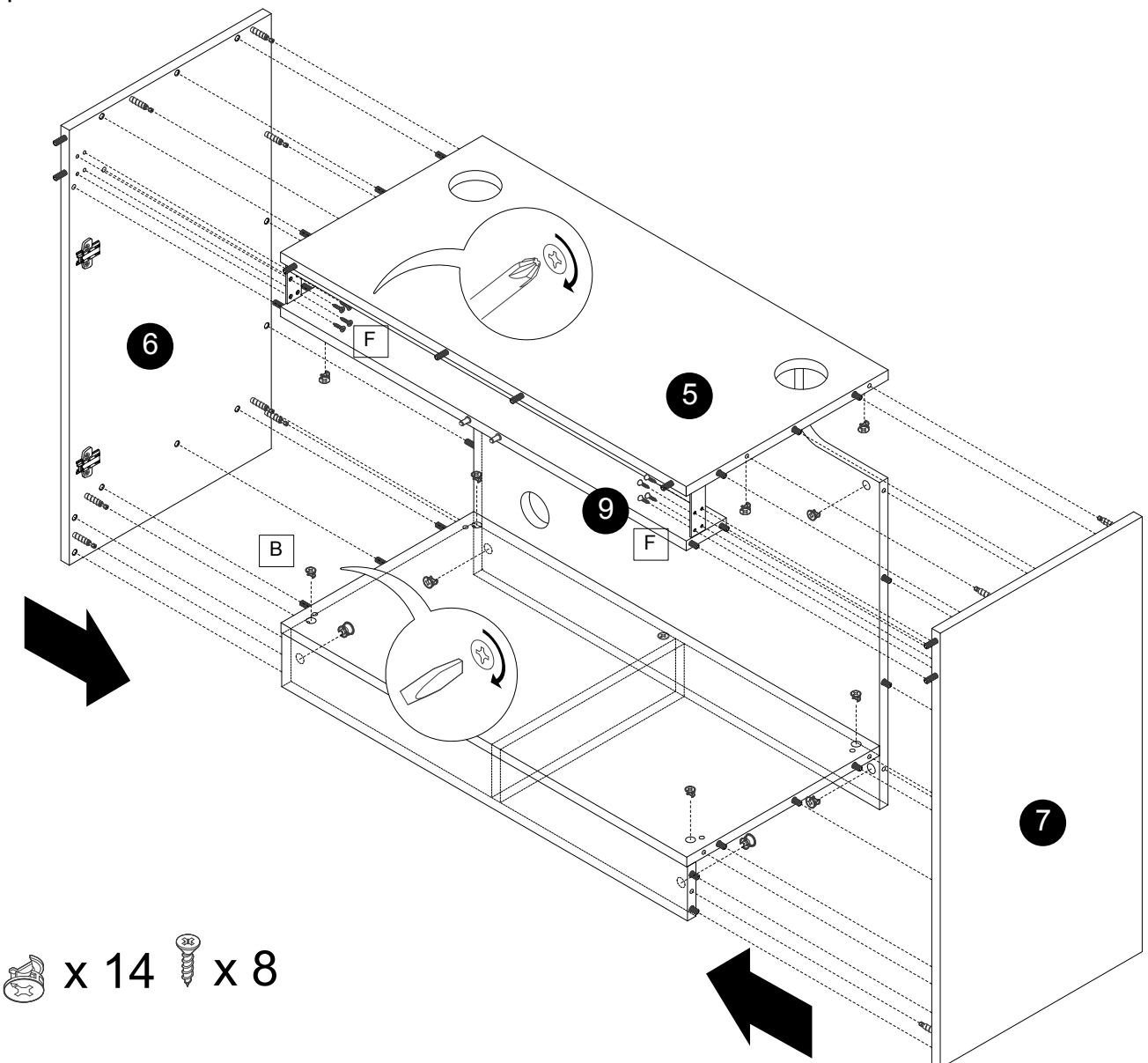
Step 6



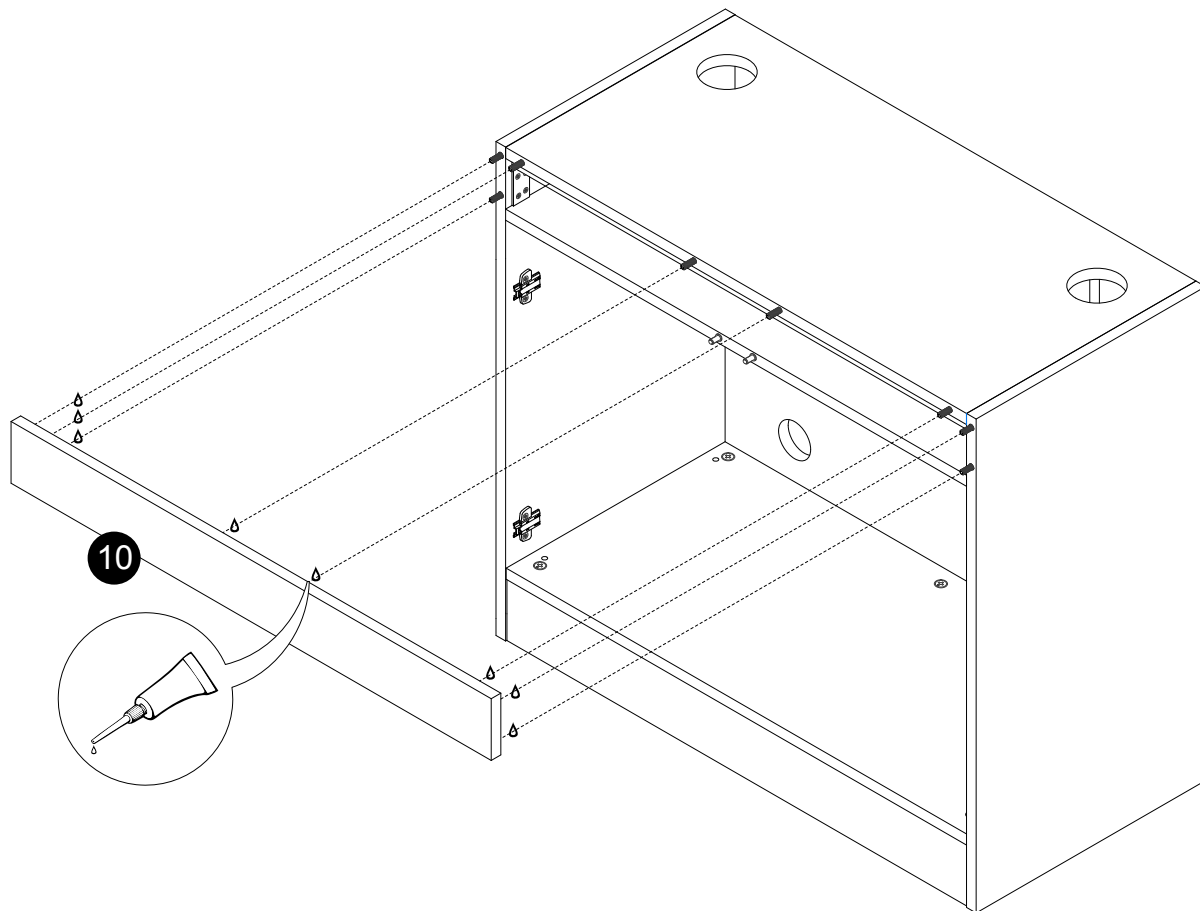
Step 7



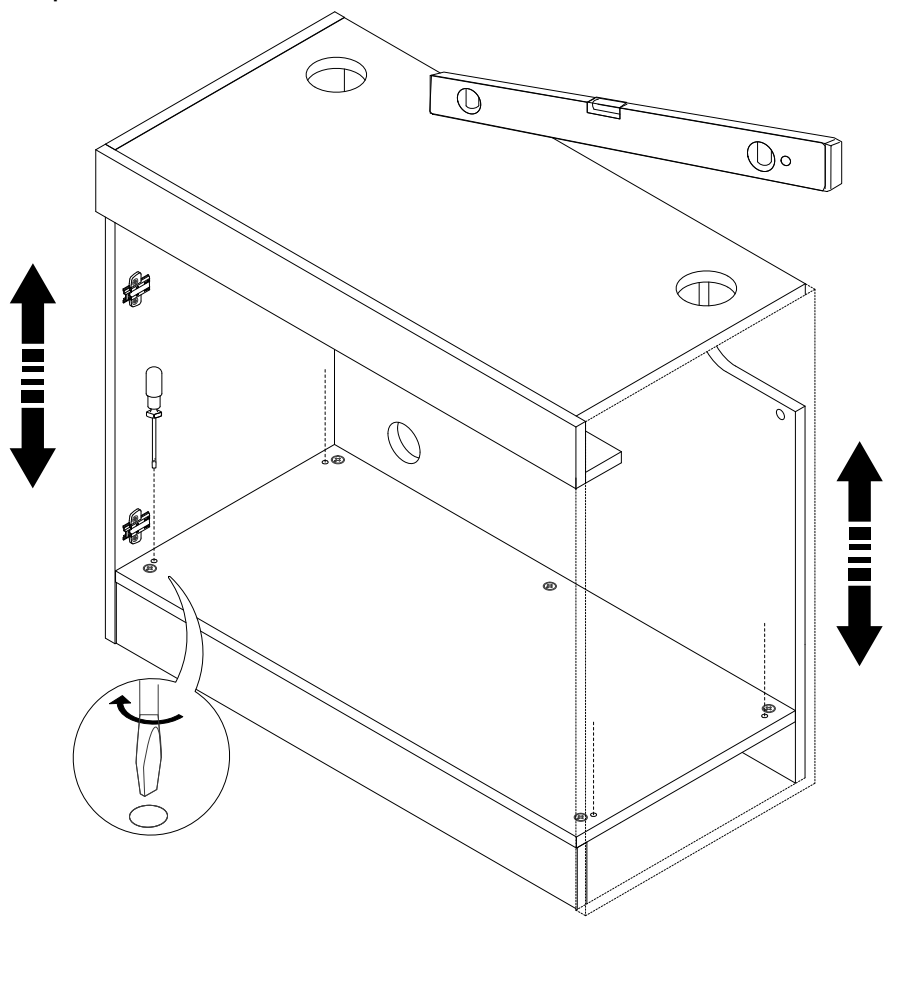
Step 8



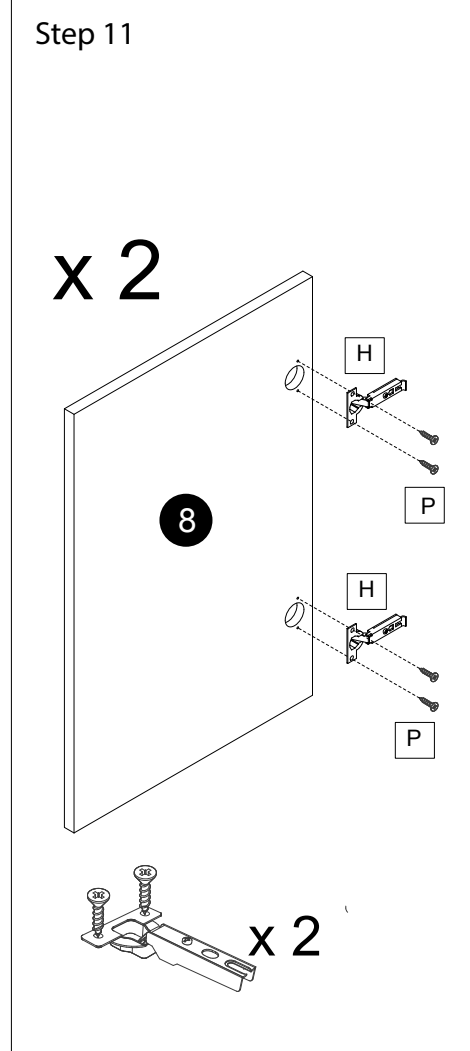
Step 9



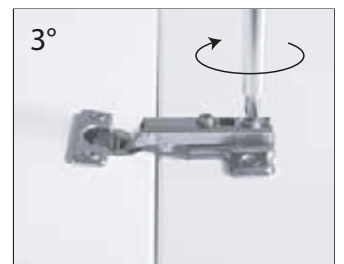
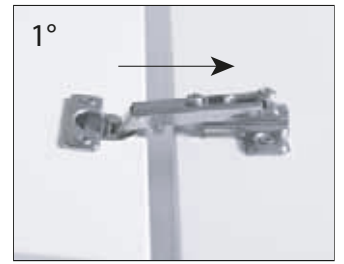
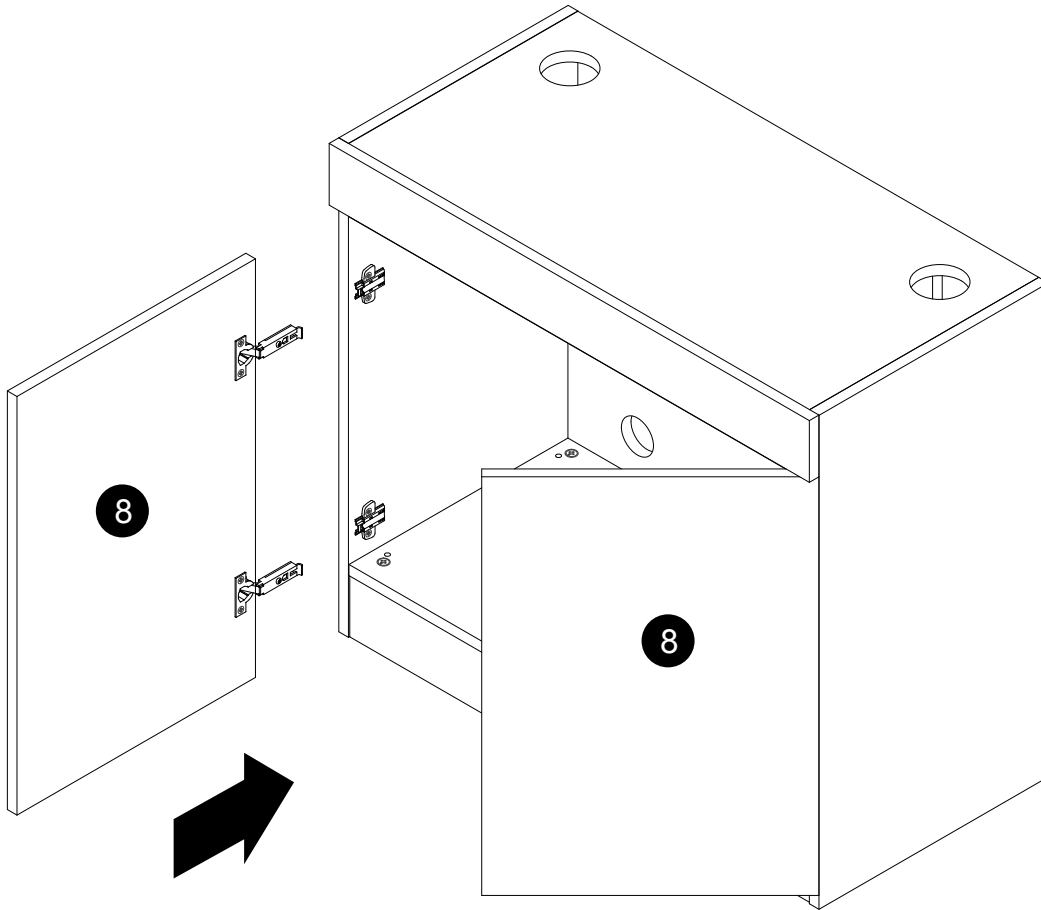
Step 10



Step 11



Step 12



Step 13

